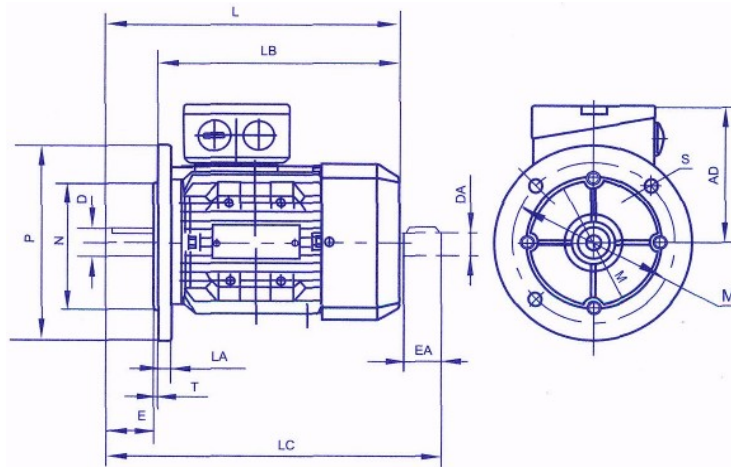


Outline Dimensions

B5



| dimensions in mm | | | | | | | | | | | | | | | | | | | | | | | | | | | | | | | | | |
|------------------|------------|-----|-----|-----|----|-----|----|----|-----|-----|-----|----|-----|-----|----|----|--------|-----|-----|-----|----|---|----|----|-----|-----|-----|----|-----|-----|----|----|------|
| Size | Poles | M | N | P | S | T | D | E | AC | AD | L | LA | LB | LC | EA | DA | FLANGE | | | | | | | | | | | | | | | | |
| 56 | 2, 4 | 100 | 80 | 120 | 7 | 3.0 | 9 | 20 | 120 | 98 | 192 | 9 | 175 | 217 | 20 | 9 | F100 | | | | | | | | | | | | | | | | |
| 63 | | 115 | 95 | 140 | 10 | 3.0 | 11 | 23 | 120 | 98 | 215 | 9 | 192 | 243 | 23 | 11 | F115 | | | | | | | | | | | | | | | | |
| 71 | 2, 4, 6 | 130 | 110 | 160 | 10 | 3.5 | 14 | 30 | 148 | 126 | 240 | 10 | 210 | 275 | 30 | 14 | F130 | | | | | | | | | | | | | | | | |
| 80 | 2, 4, 6, 8 | 165 | 130 | 200 | 12 | 3.5 | 19 | 40 | 170 | 142 | 295 | 12 | 255 | 330 | | | F165 | | | | | | | | | | | | | | | | |
| 90S | 2, 4, 6, 8 | 165 | 130 | 200 | 12 | 3.5 | 24 | 50 | 190 | 160 | 340 | 12 | 290 | 385 | 40 | 19 | | | | | | | | | | | | | | | | | |
| 90L | | | | | | | | | | | | | | | | | | | | | | | | | | | | | | | | | |
| 100 | | | | | | | | | | | | | | | | | | 215 | 180 | 250 | 15 | 4 | 28 | 60 | 197 | 165 | 385 | 13 | 325 | 450 | 60 | 28 | F215 |
| 112 | | | | | | | | | | | | | | | | | | | | | | | | | 230 | 188 | 395 | 14 | 335 | 460 | | | |
| 132S | | 265 | 230 | 300 | 15 | 4 | 38 | 80 | 260 | 208 | 510 | 14 | 430 | 595 | 80 | 38 | F265 | | | | | | | | | | | | | | | | |
| 132M | | | | | | | | | | | | | | | | | | | | | | | | | | | | | | | | | |

| BEARINGS | | | |
|------------|------------|-------------|-----------------|
| FRAME SIZE | POLES | DRIVING END | NON DRIVING END |
| 56 | 2, 4 | 620 1ZZ | |
| 63 | | 6201 ZZ | |
| 71 | 2, 4, 6 | 6202ZZ | |
| 80 | 2, 4, 6, 8 | 6204ZZ | |
| 90 | 2, 4 | 6205ZZC3 | |
| 90 | 6, 8 | 6205ZZ | |
| 100 | 2, 4, 6, 8 | 6206ZZC3 | |
| 112 | | 6306ZZC3 | |
| 132 | | 6308ZZC3 | |
| | | 6308ZZC3 | |

This document was created with Win2PDF available at <http://www.daneprairie.com>.
The unregistered version of Win2PDF is for evaluation or non-commercial use only.