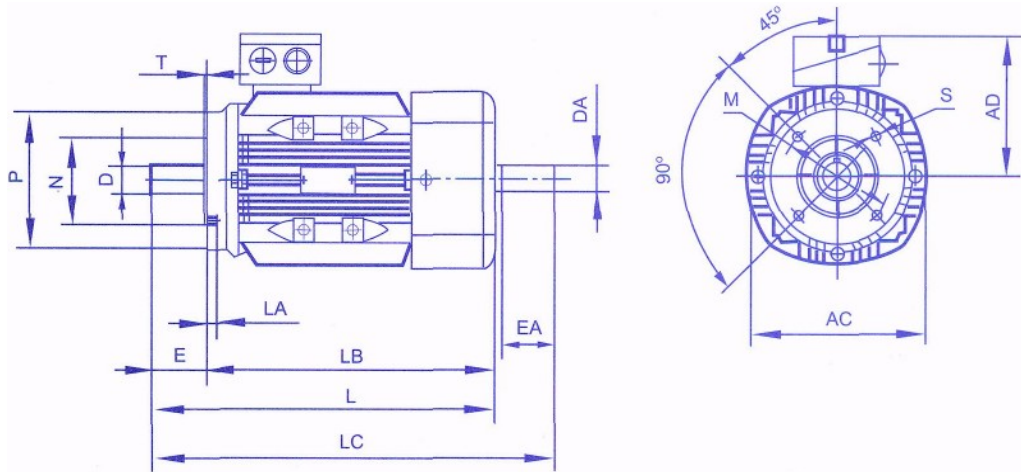


Outline Dimensions

B14



dimensions in mm											
Size	Poles	AC	AD	D	E	DA	EA	LA	LB	L	LC
56	2, 4	125	98	9	20	9	20	6	172	192	217
63		125	98	11	23	11	23	6	192	215	243
71	2, 4, 6	148	126	14	30	14	30	12	210	240	275
80	2, 4, 6, 8	170	142	19	40	14	30	12	255	295	330
90		190	160	24	50	19	40	11	290	340	385
100		197	165	28	60	28	60	14	325	385	450
112		230	188	28	60	28	60	14	335	395	460
132		260	208	38	80	38	80	14	430	510	595
B14 SMALL FLANGE						B14 LARGE FLANGE					
Size	M	N	P	S	T	M	N	P	S	T	
56	65	50	80	M5	2.5	85	70	105	M6	2.5	
63	75	60	90	M5	2.5	100	80	120		3.0	
71	85	70	105	M6	2.5	115	95	140	M8		
80	100	80	120	M6	3	130	110	160		3.5	
90	115	95	140	M8	3						
100	130	110	160	M8	3.5						
112	130	110	160	M8	3.5						
132	165	130	200	M10	3.5						

This document was created with Win2PDF available at <http://www.daneprairie.com>.
The unregistered version of Win2PDF is for evaluation or non-commercial use only.